

Technical Data Sheet

Rosenberger

Wide Band 3dB Hybrid

HM-3-7F-NF



Main features

Contain CDMA, GSM, DCS and WCDMA band
 Low PIM
 High reliability
 Simple installation

Electrical data

| | |
|---|--------------------|
| Frequency | 800~2700MHz |
| Return Loss, all ports | ≤ -20dB |
| Distribution Loss | 3.05±0.55dB |
| Isolation | 23dB |
| Power handling | 300W |
| Intermodulation (3 rd order) | ≤ -150dBc@2 x 20 W |
| Impedance | 50 Ω |

Environmental data

| | |
|-----------------------------|----------------|
| Operating temperature range | -35°C to +75°C |
| Storage temperature range | -40°C to +85°C |
| Relative humidity | 5%- 95% |
| Barometric pressure | 55KPa -106KPa |
| Applications | IP65 |

Technical Data Sheet

Rosenberger

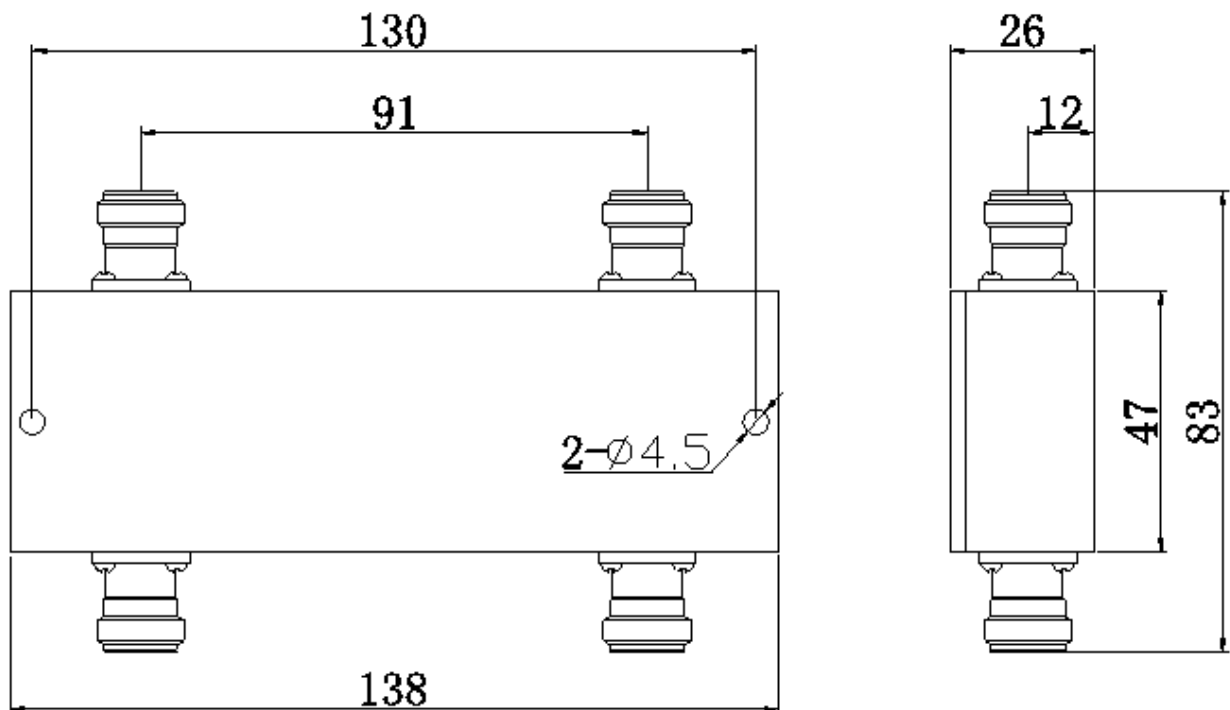
Wide Band 3dB Hybrid

HM-3-7F-NF

Mechanical data

| | |
|-----------------|--------------------|
| Dimension | 138 x 47 x 26 (mm) |
| Weight | 600g |
| Connectors type | N-female |
| Mounting | Plane |
| Packing | 1Pce in box |

Outline Drawing



While the information has been carefully compiled to the best of our knowledge, nothing is intended as representation or warranty on our part and no statement herein shall be construed as recommendation to infringe existing patents. In the effort to improve our products, we reserve the right to make changes judged to be necessary.

| Draft | Date | Checker | Approved | Date | Rev. | Engineering Change Number | Name | Date |
|---|----------|---------|----------|----------|--|---------------------------|------|---------------|
| XQ.W | 06/17/10 | CY.X | Joson | 06/25/10 | 1.0 | | XQ.W | 06/25/10 |
| Rosenberger Hochfrequenztechnik GmbH & Co. KG Tel.: +49 8684 18-0 Fax: +49 8684 18-499 www.rosenberger.de email : info@rosenberger.de | | | | | Rosenberger (Shanghai) Technology Co., Ltd. Tel.: +86 21 69214567 Fax: +86 21 69212923 www.rosenbergerap.com email: info@rosenbergerap.com | | | Page 2 / 2 |